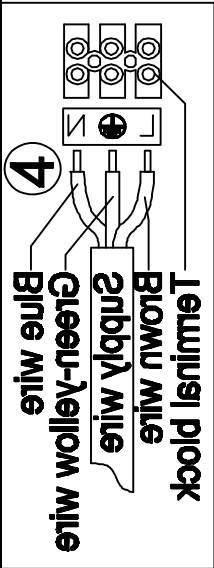
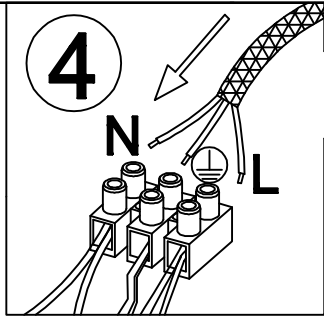
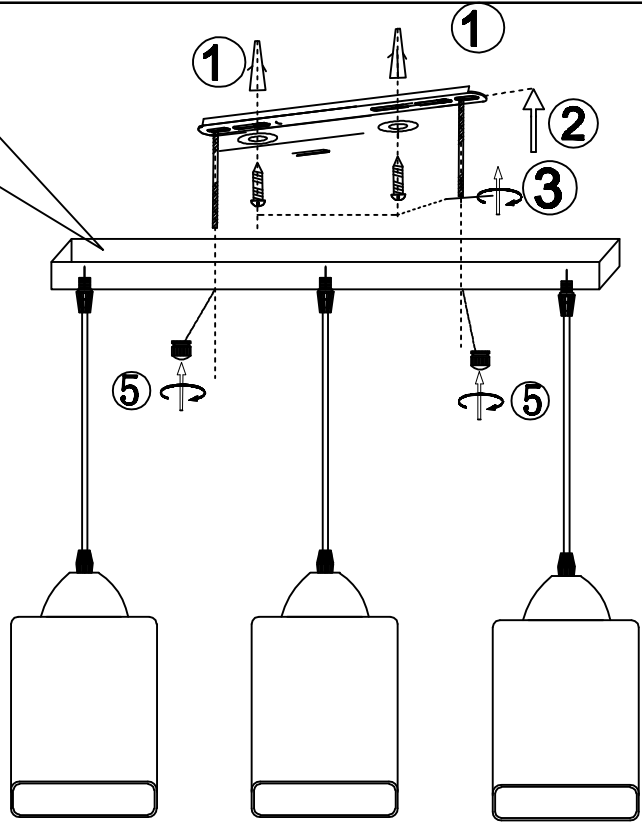


BULB NOT INCLUDED



33-21175