

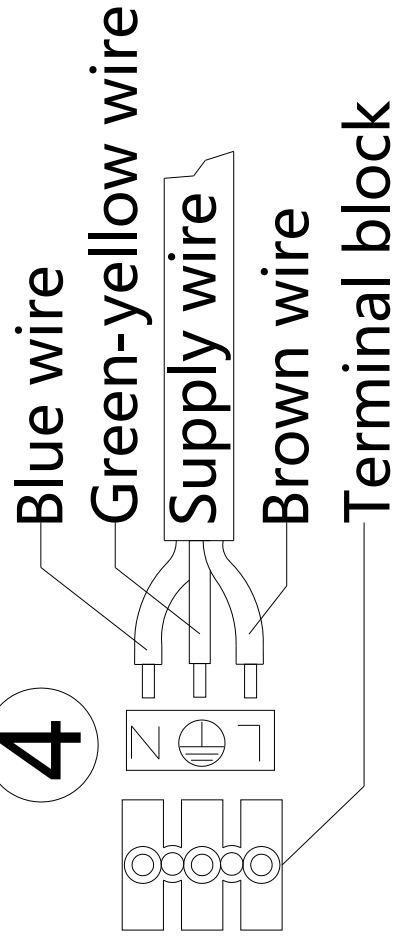




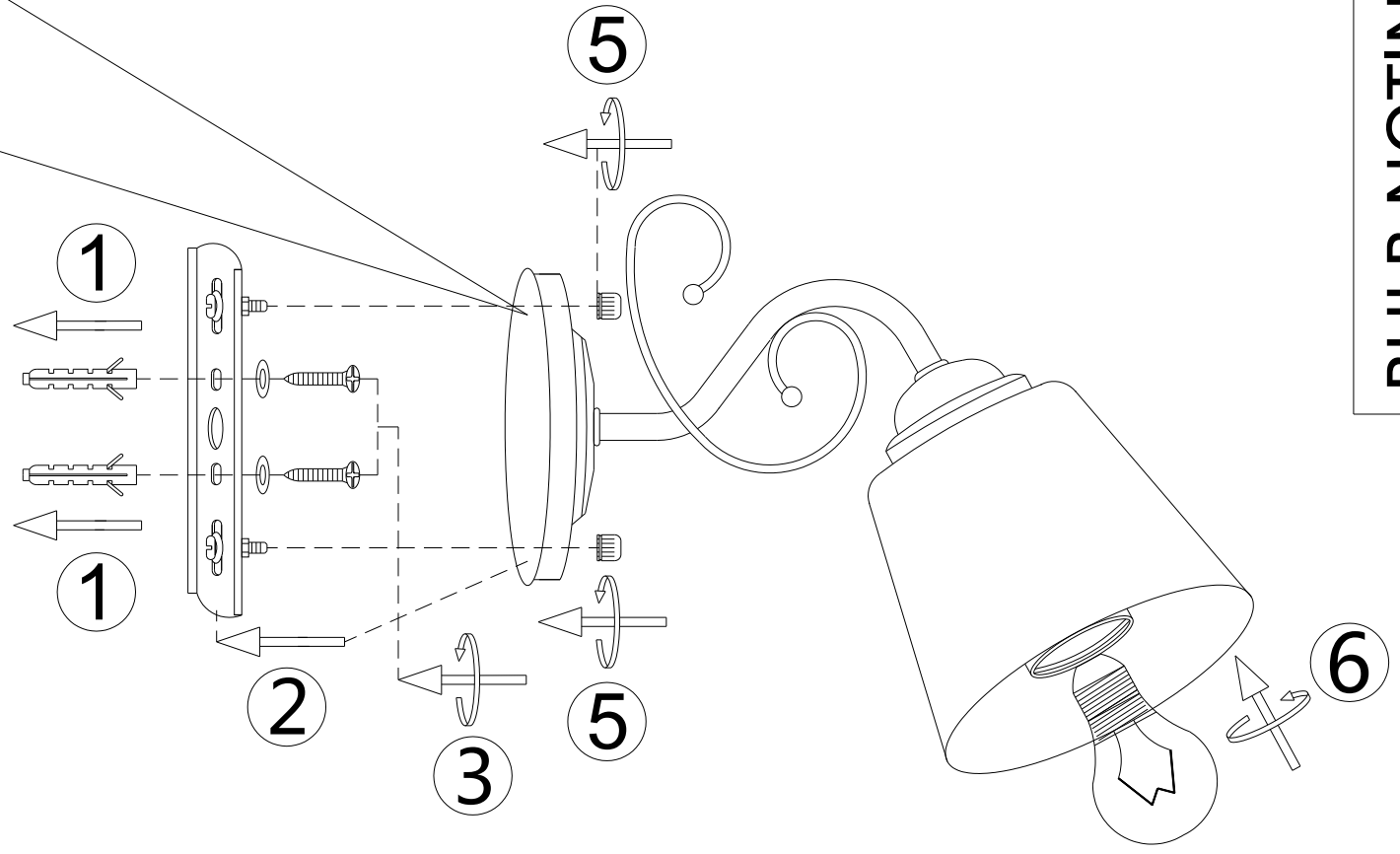
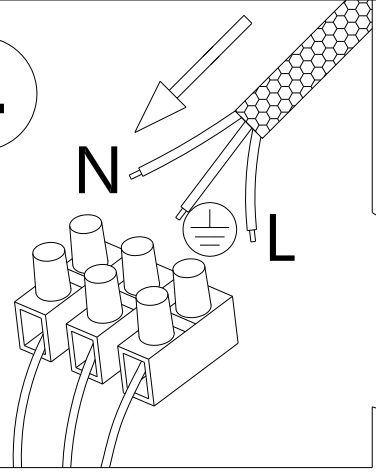




4



4



21-26606

BULB NOT INCLUDED