





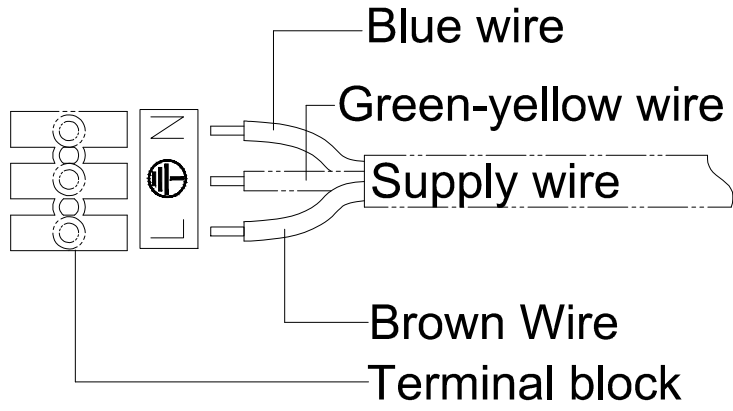




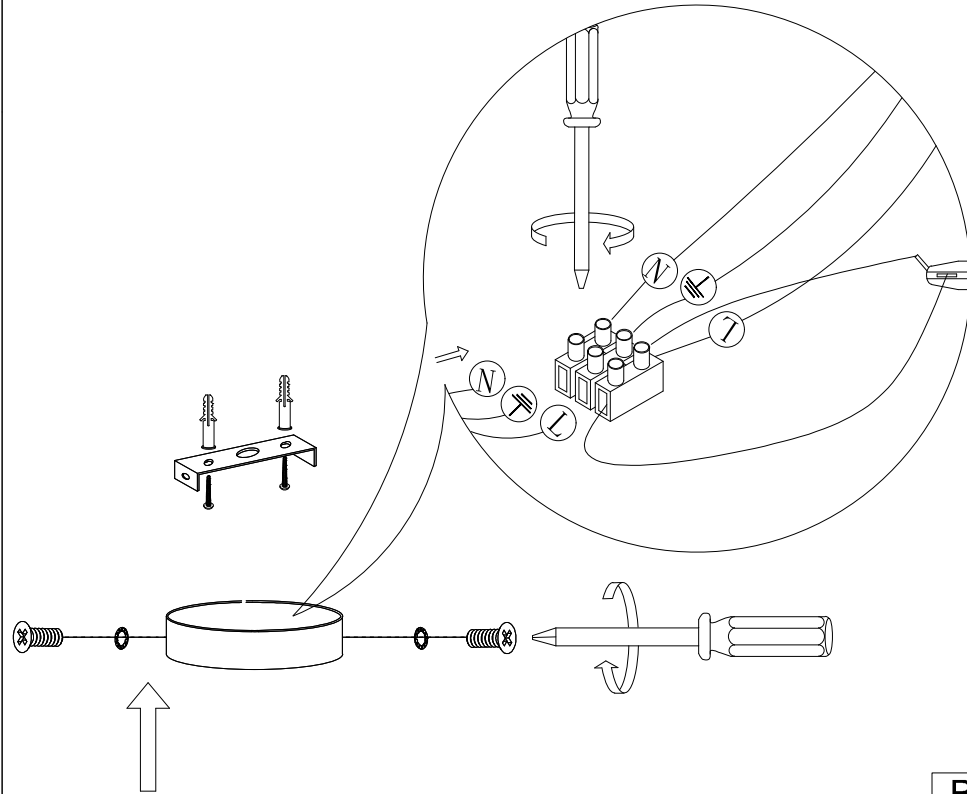
ItemNo:

# INSTRUCTIONS

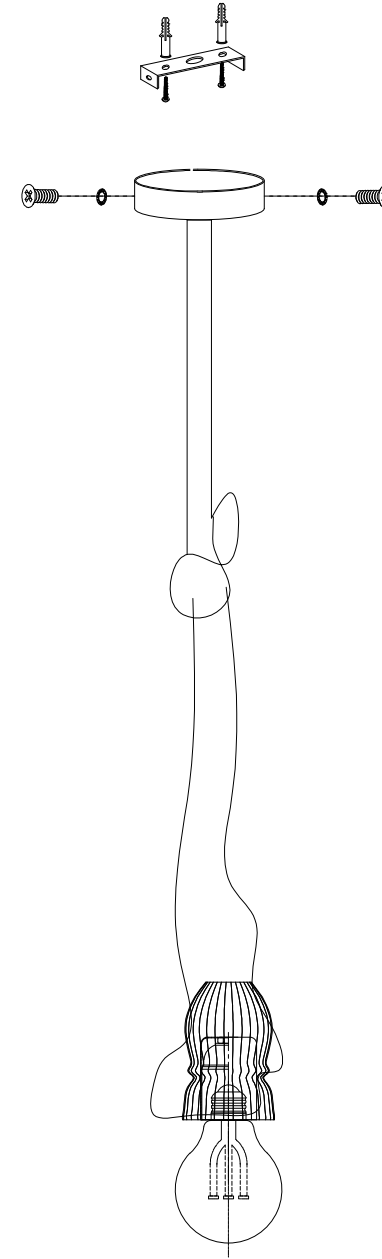
REV



A



B



C