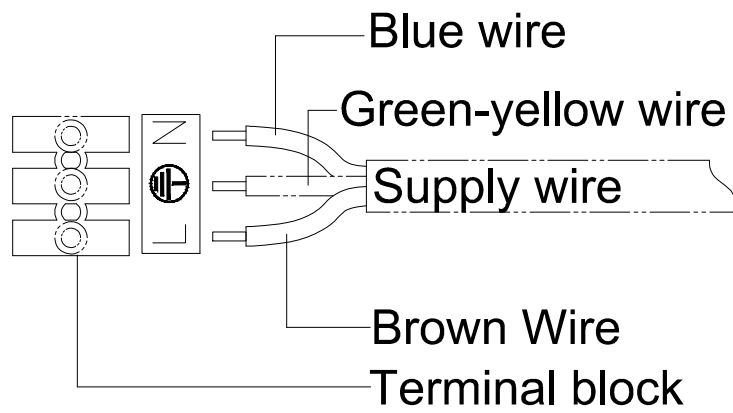


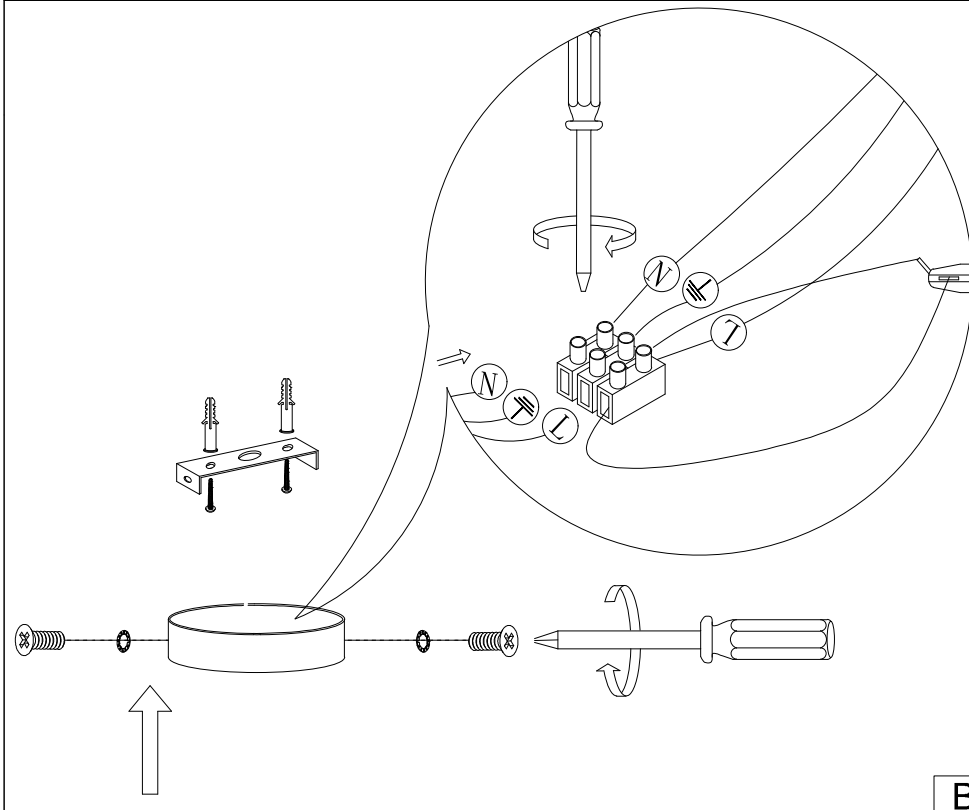
ItemNo:

INSTRUCTIONS

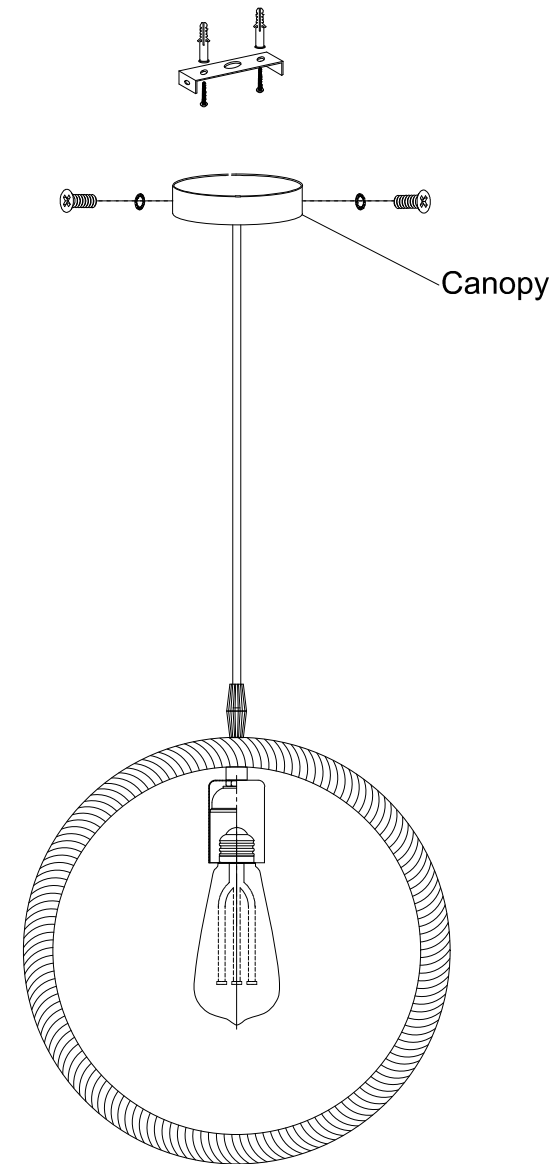
REV



A



B



C