



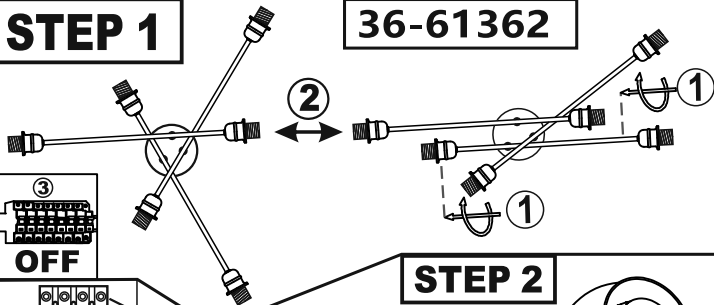






# STEP 1

36-61362



# STEP 2

